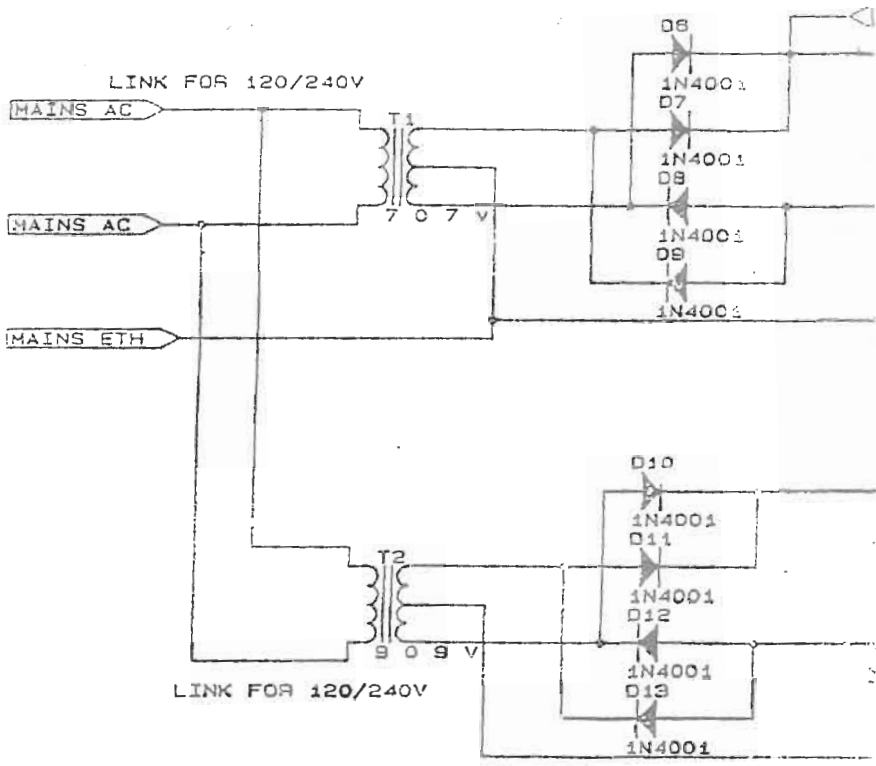


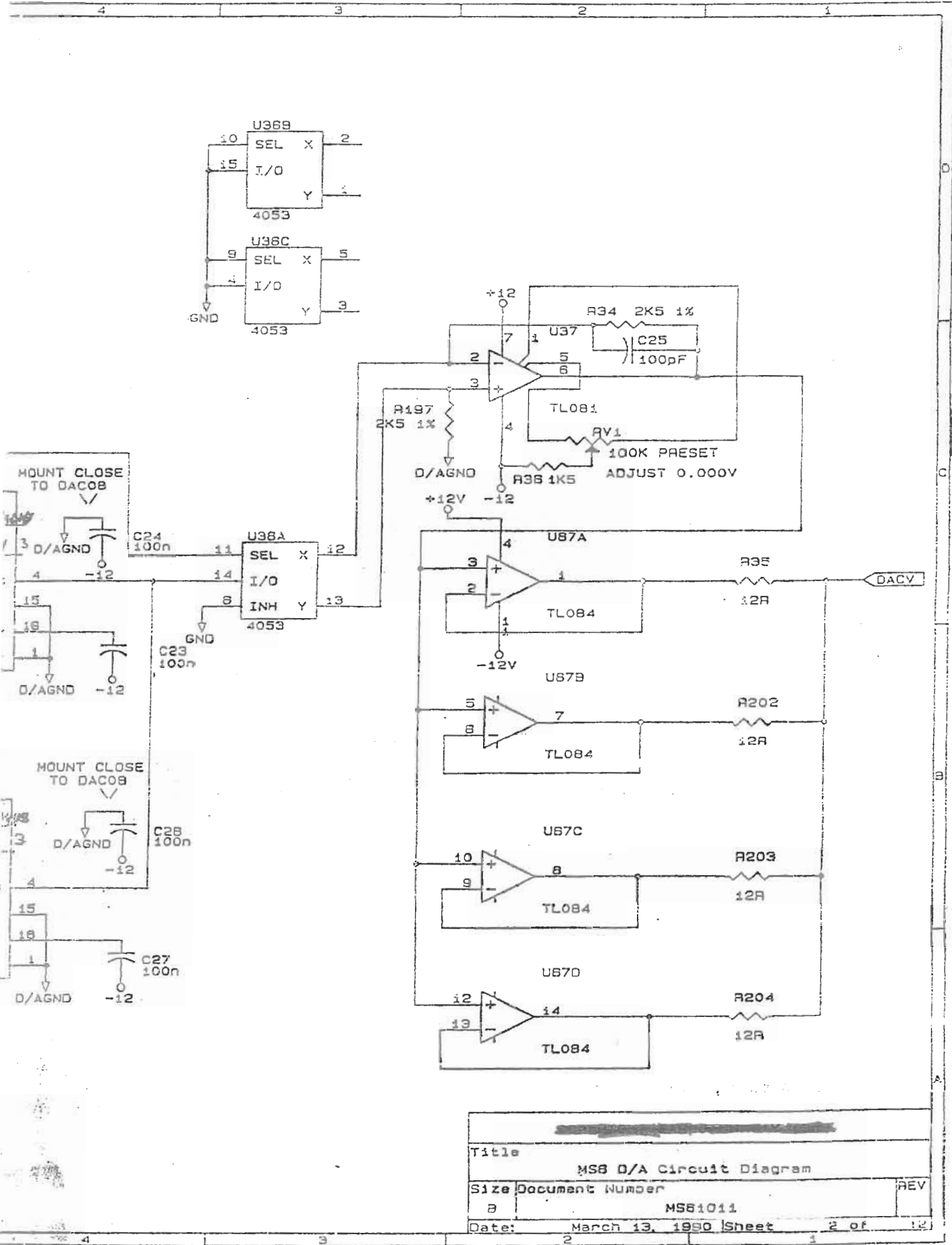
Title		MSB POWER SUPPLY CCT DIAGRAM	
Size	Document Number	REV	3
Date:	March 13, 1980	Sheet	1 of 12

IA

D  
C  
B  
A



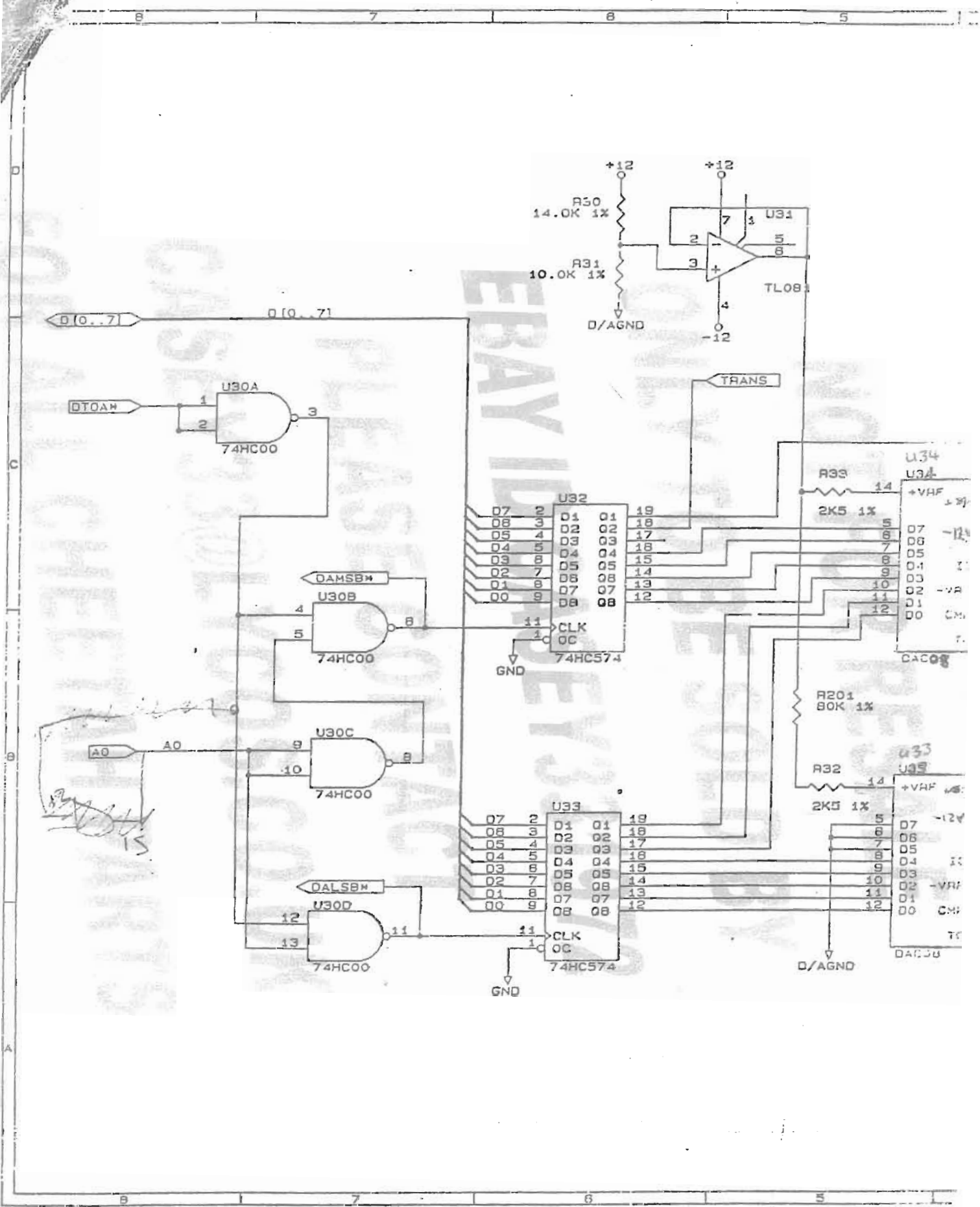
18

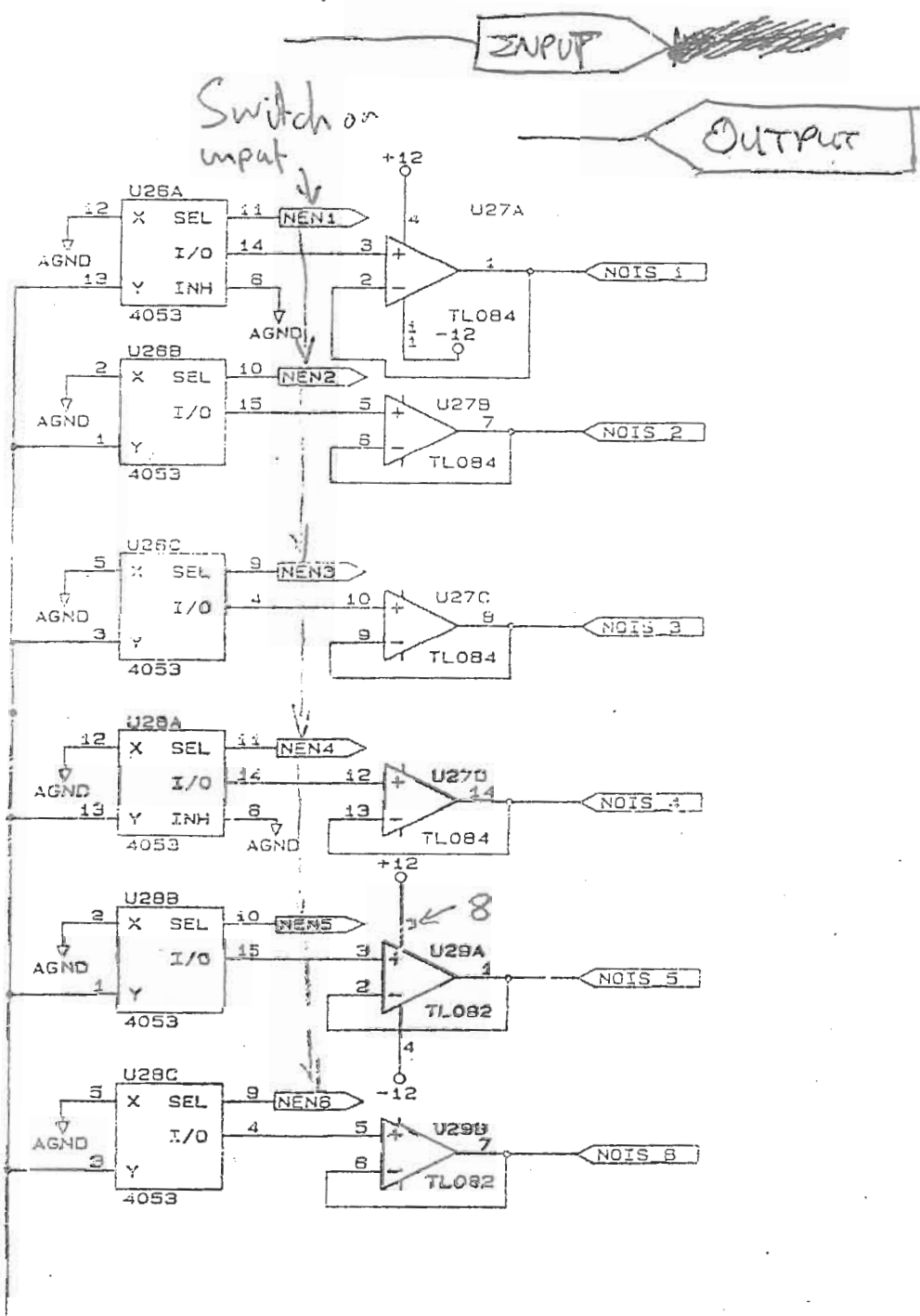


Title		
MS8 D/A Circuit Diagram		
Size	Document Number	REV
B	MS81011	
Date:	March 13, 1990	Sheet 2 of 12

2A

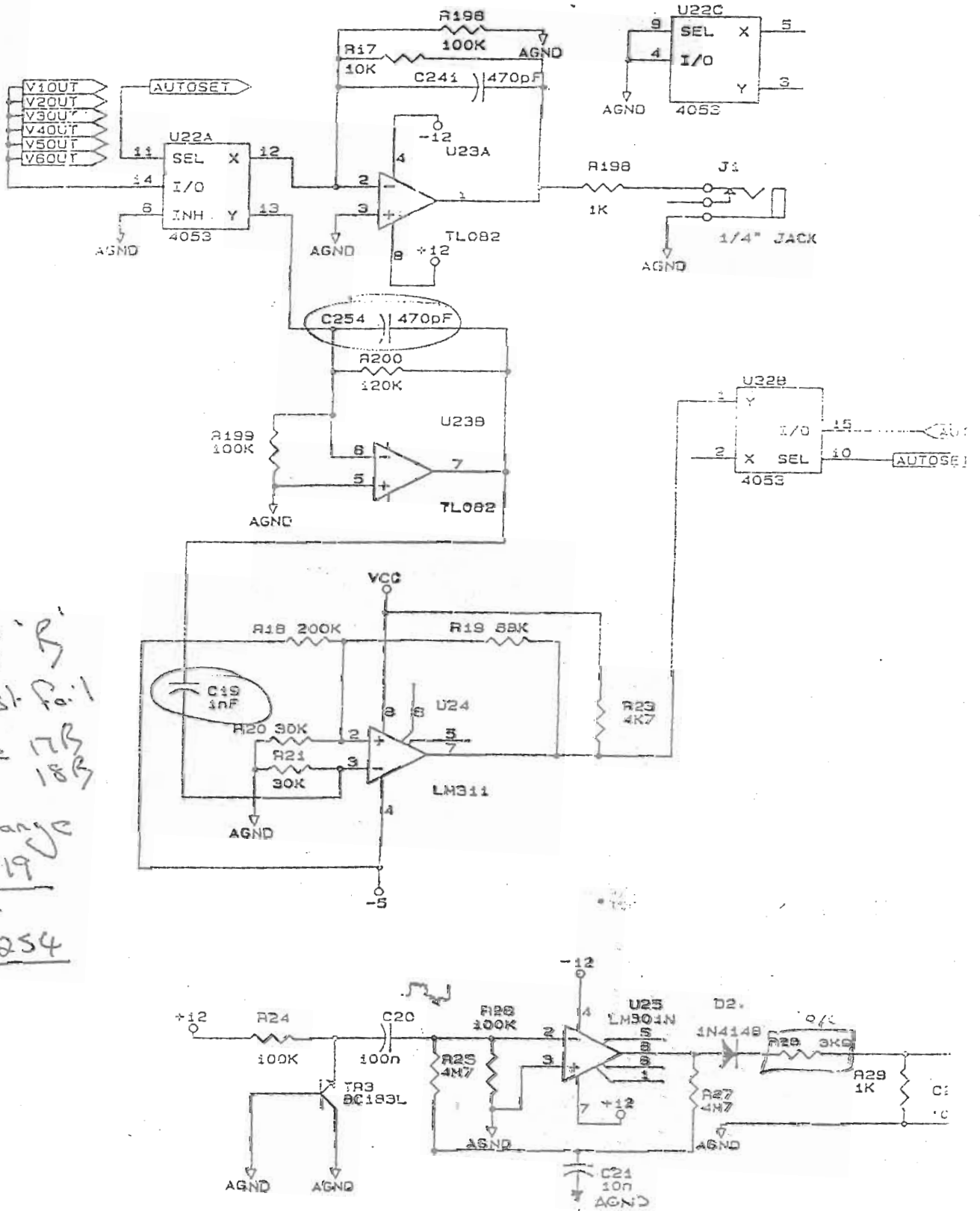
24494





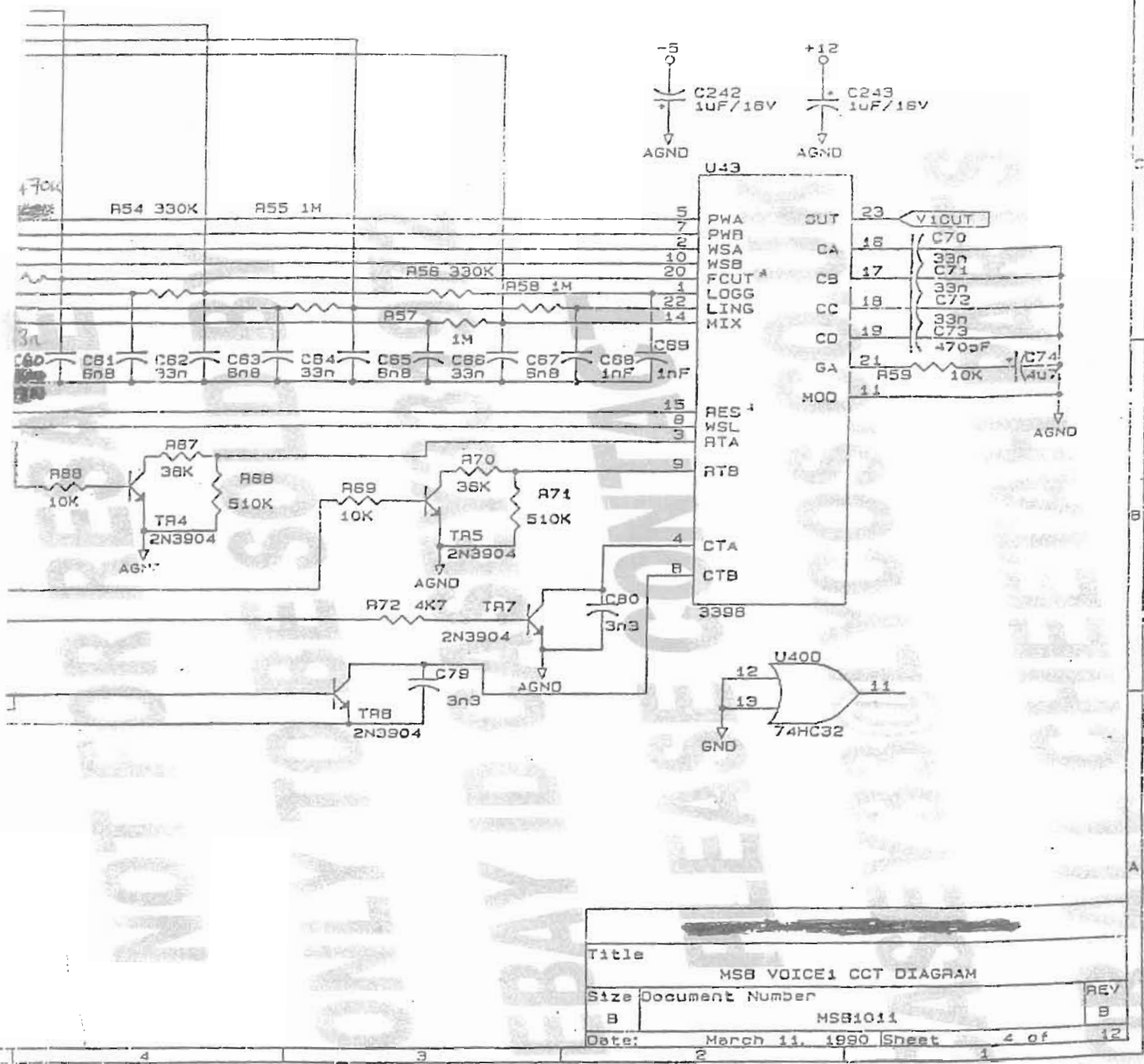
Title		
MSB AUTO CORRECT + NOISE DET DIAGRAM		
Size	Document Number	REV
B	MSB1013	B
Date:	March 13, 1990	Sheet 3 of 12

3A



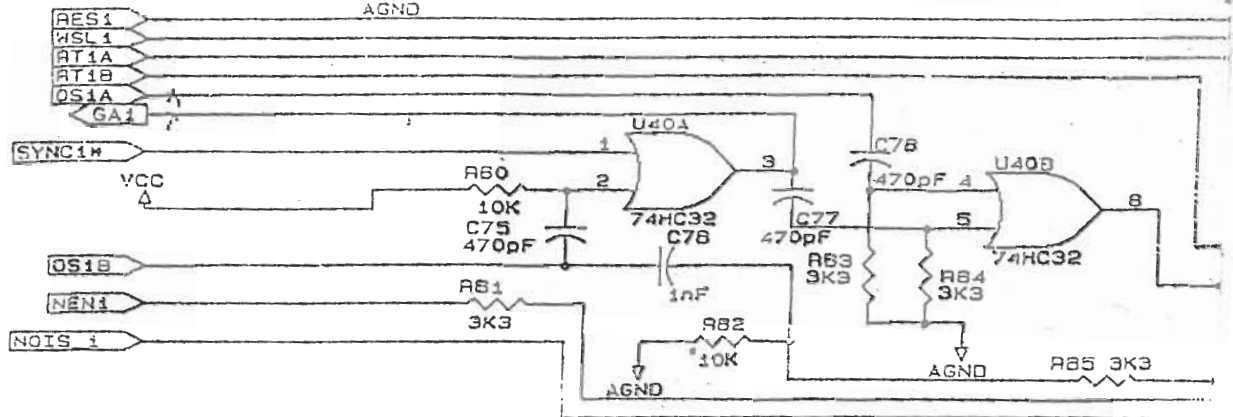
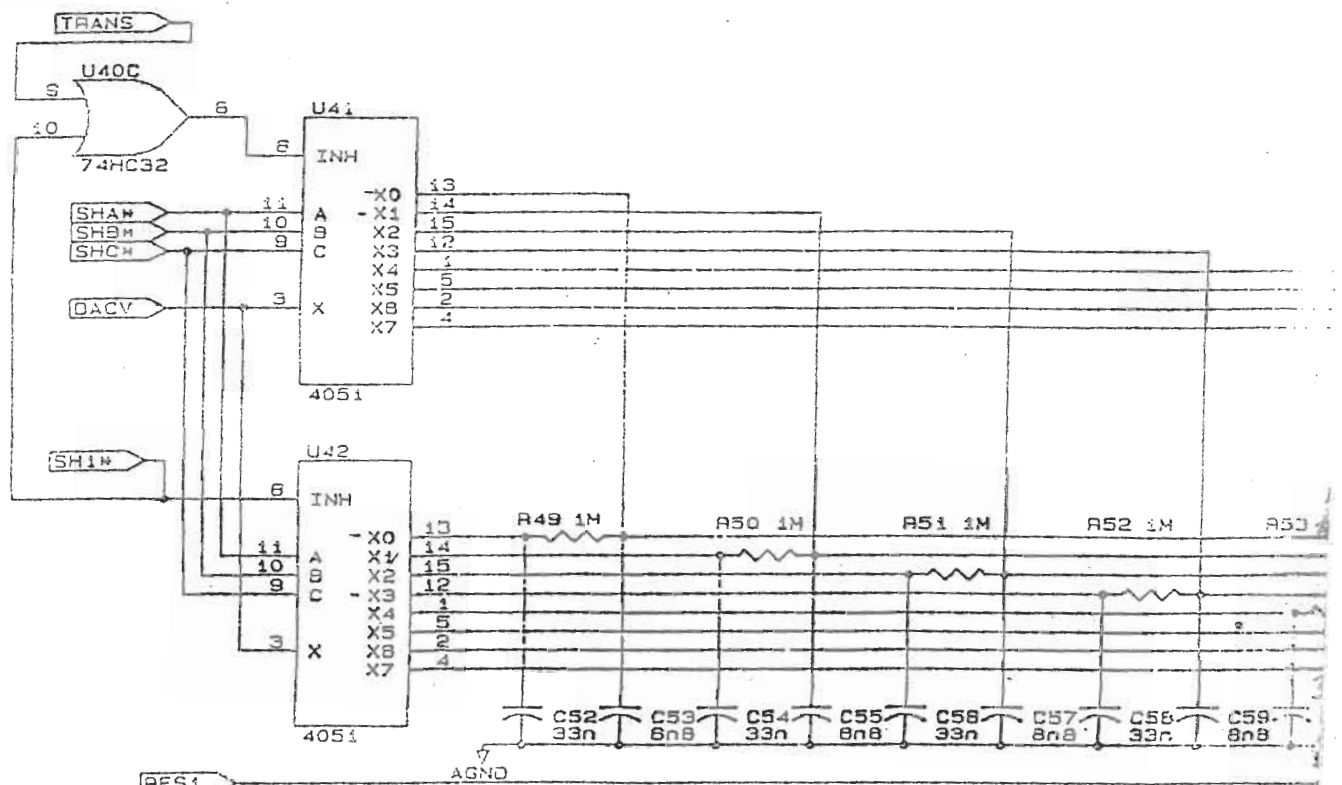
if 'R'  
 test fail  
 i.e. 17B  
 18B  
 change  
 C19  
 or  
 C254

3B



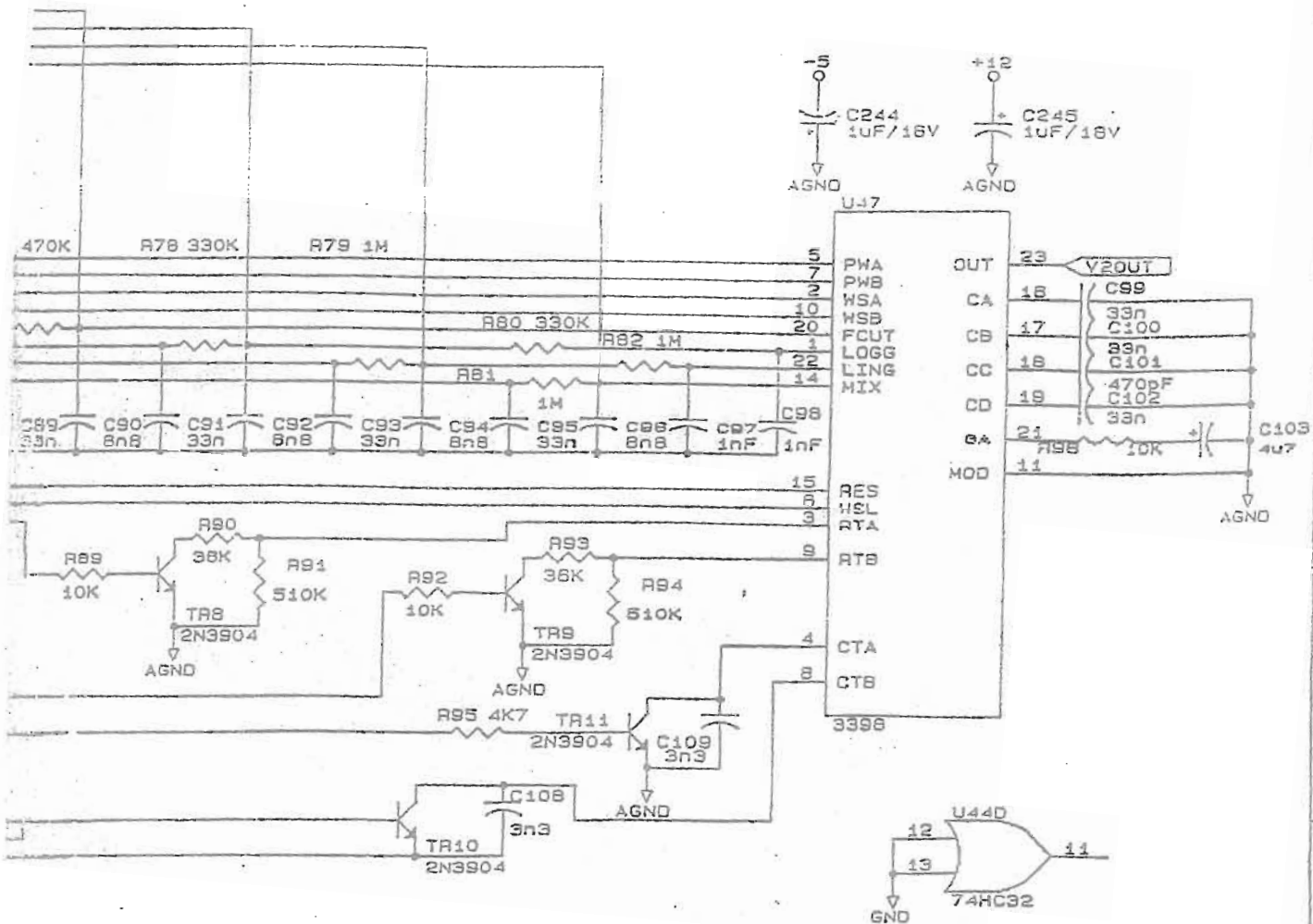
Title		MSB VOICE1 CCT DIAGRAM	
Size	Document Number	REV	
B	MSB1011	B	
Date:	March 11, 1990	Sheet	4 of 12

4A



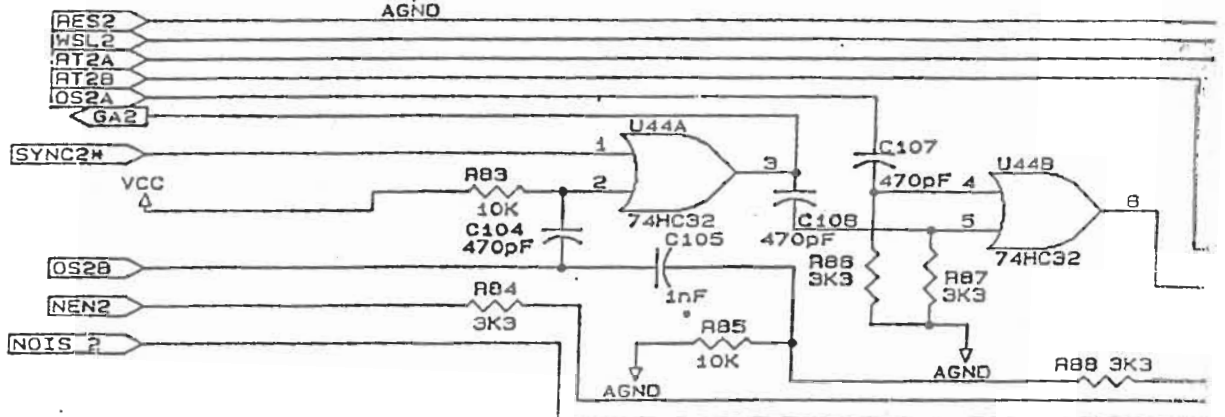
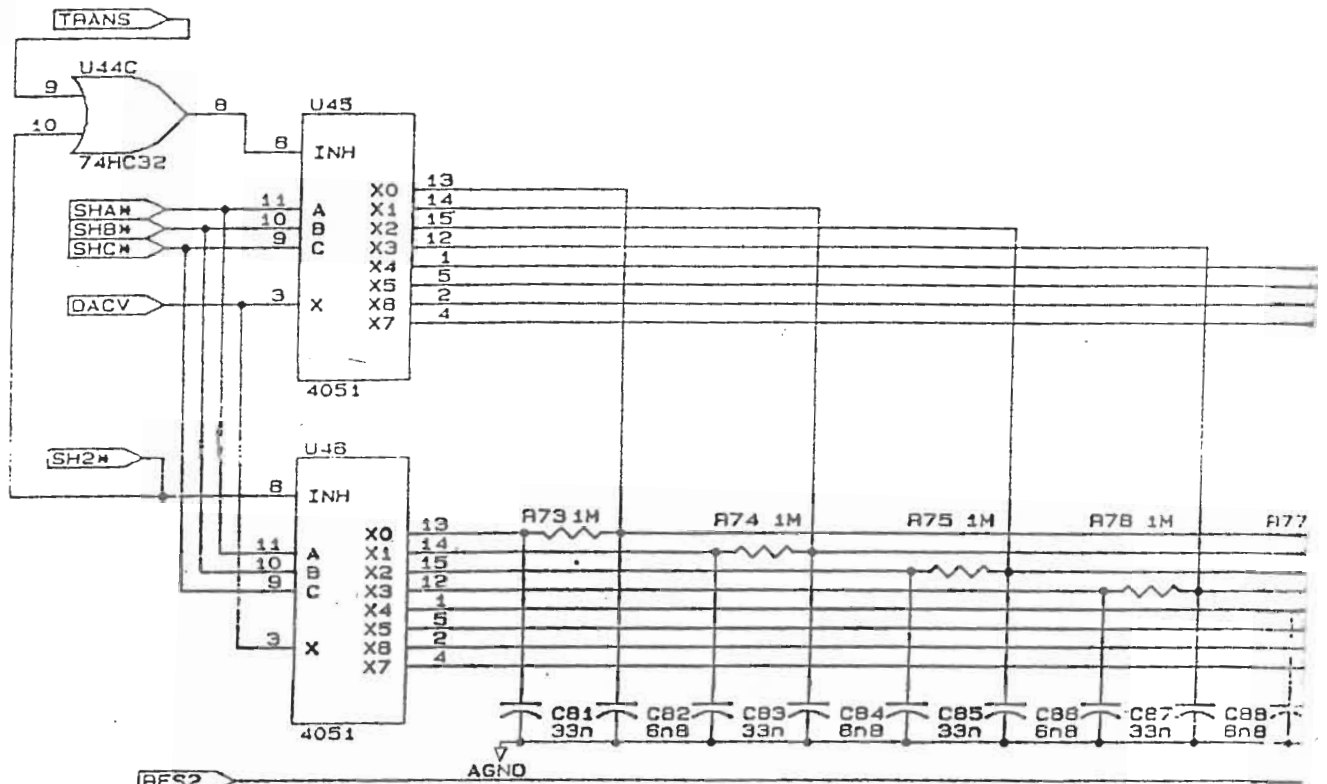
4B





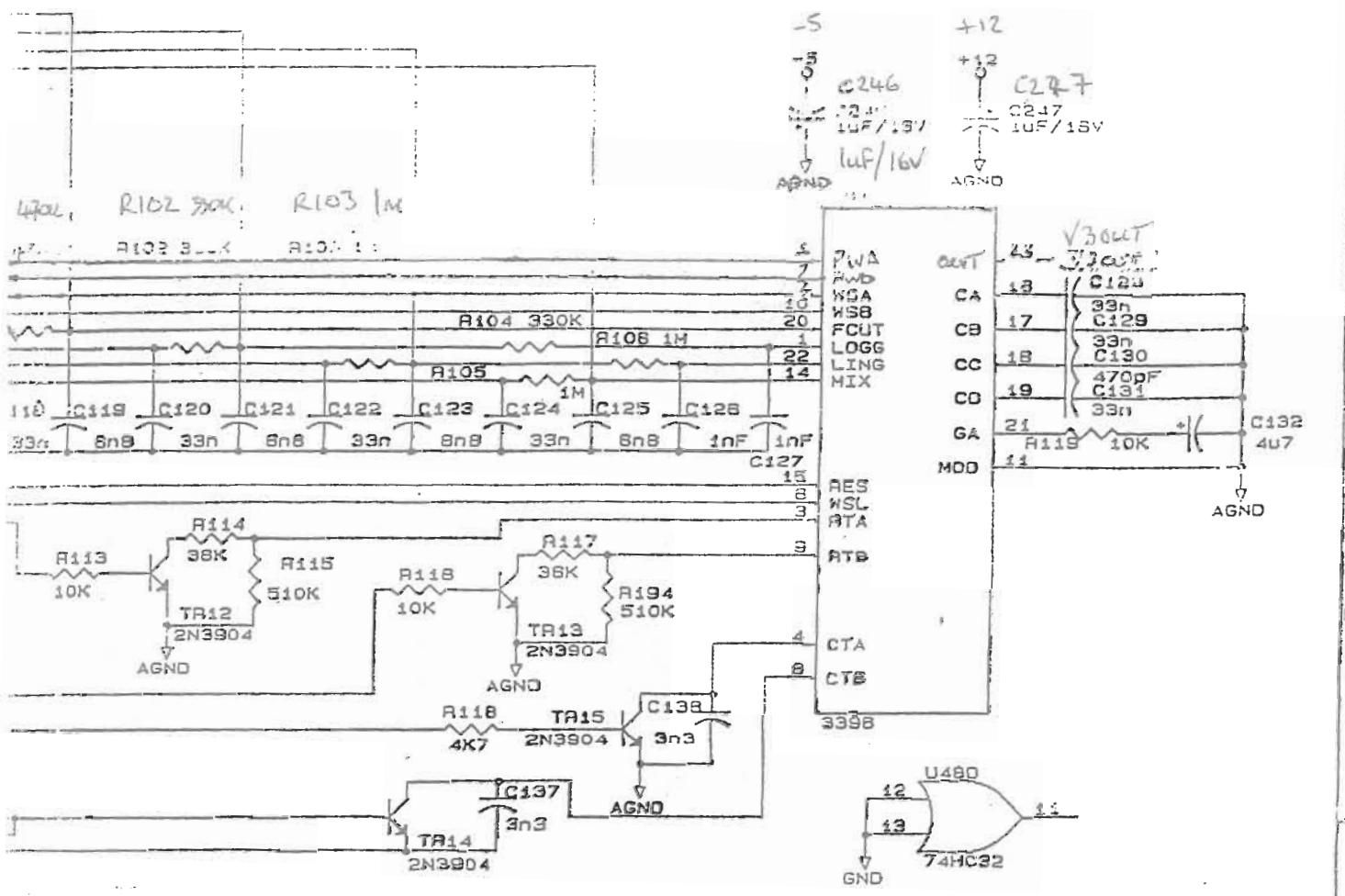
Title			MS6 Voice 2
Size Document Number			MS61011
REV	B	Date:	March 4, 1990 Sheet 5 of 12

5A



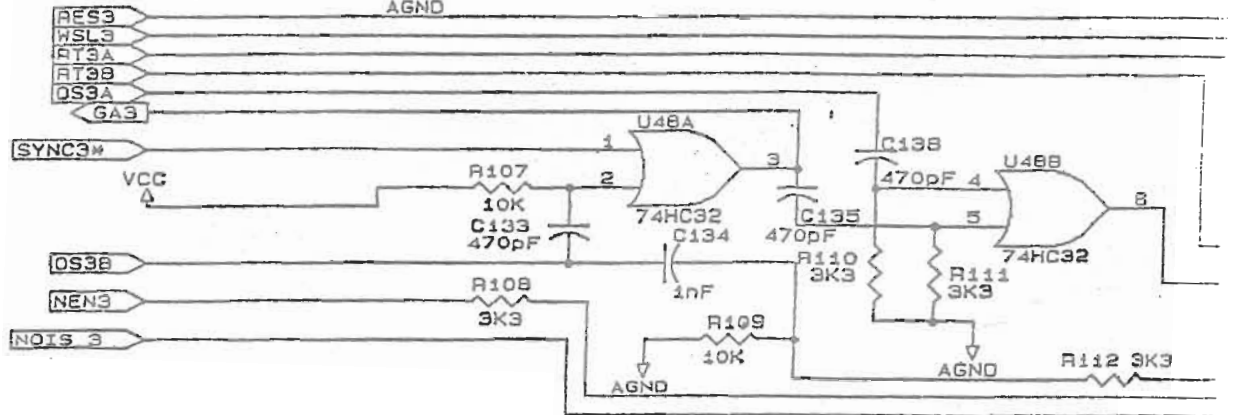
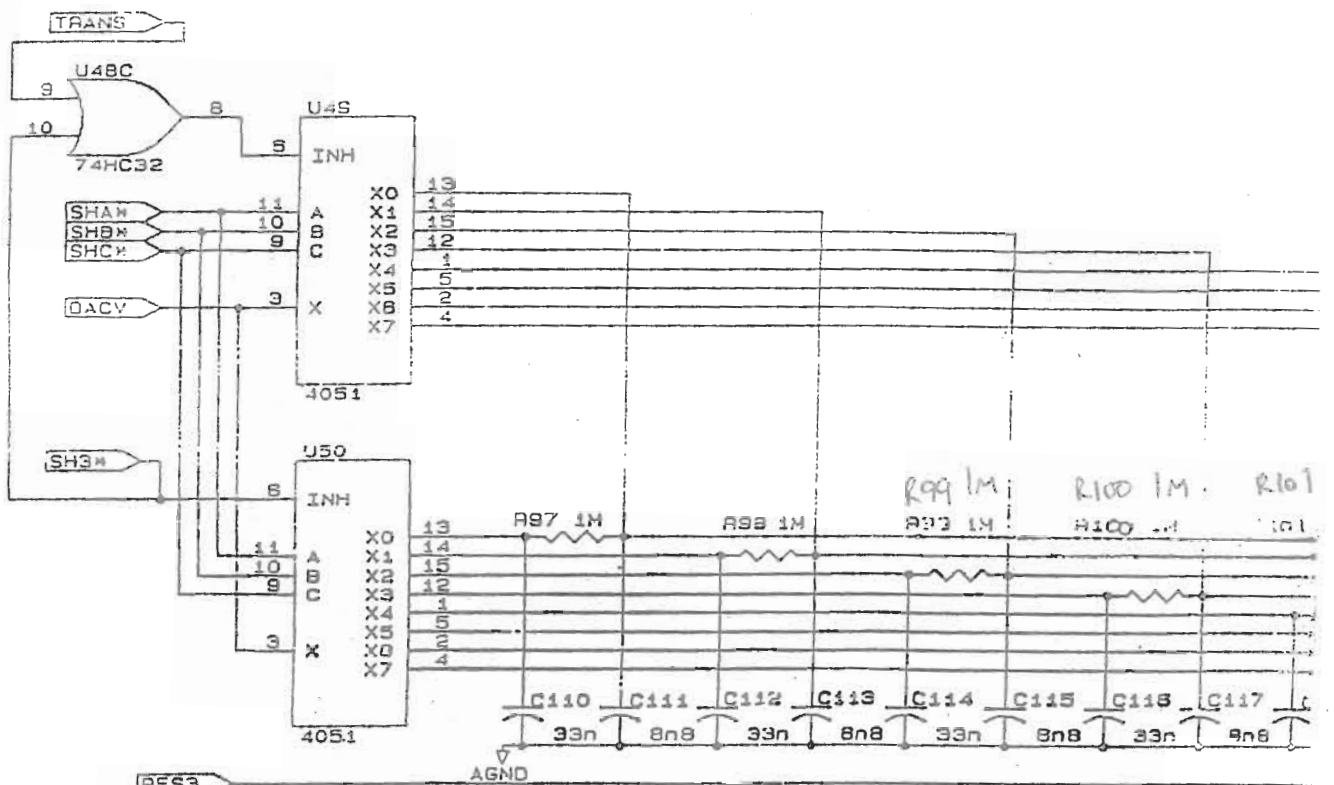
OS2A - 13 } U10  
 GA2 - 14 }

5B

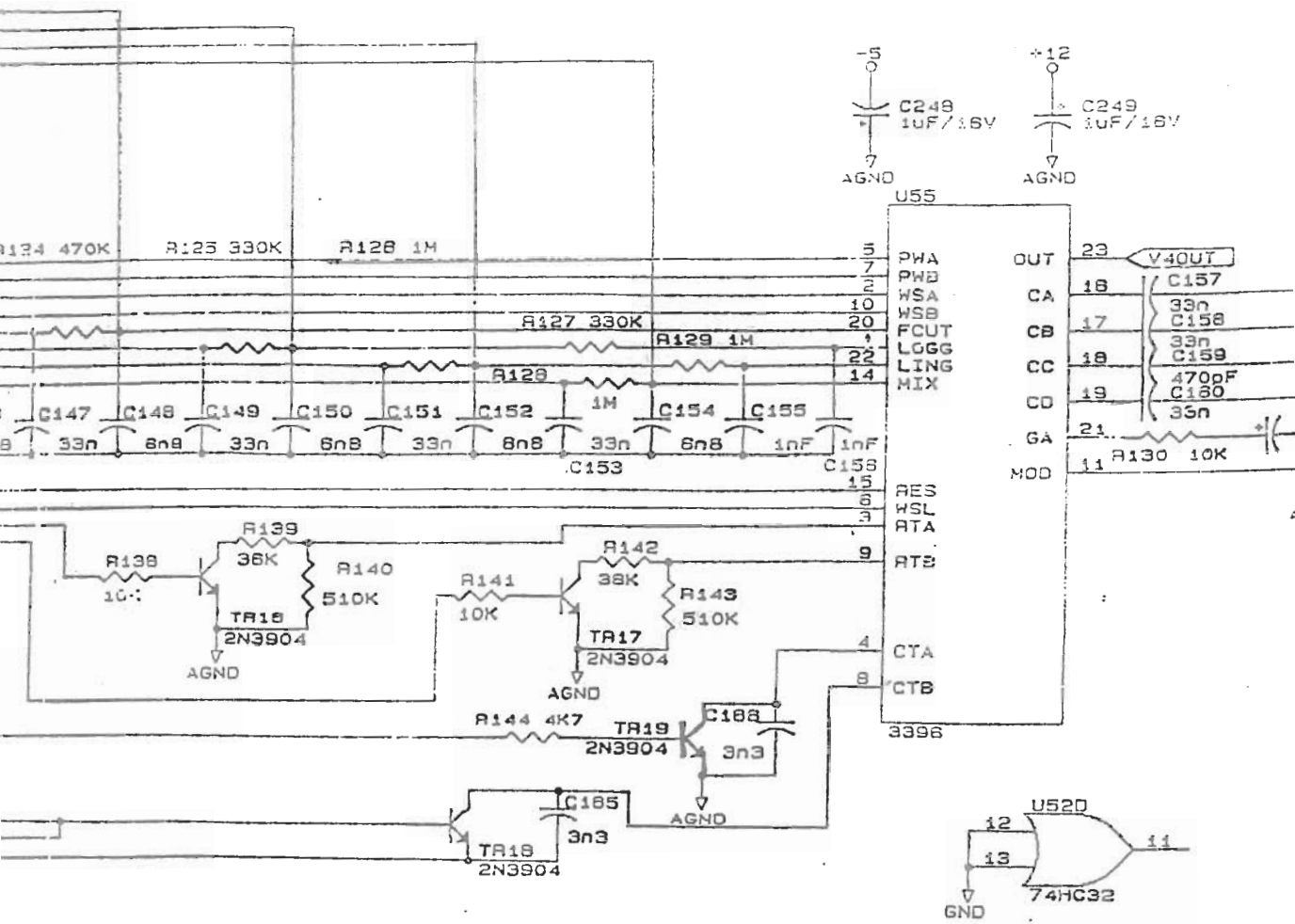


Title		350 VOICES OCT DIAGRAM	
Site / Document Number		MSB1011	
Date	March 4, 1997	Sheet	6 of 12

GA

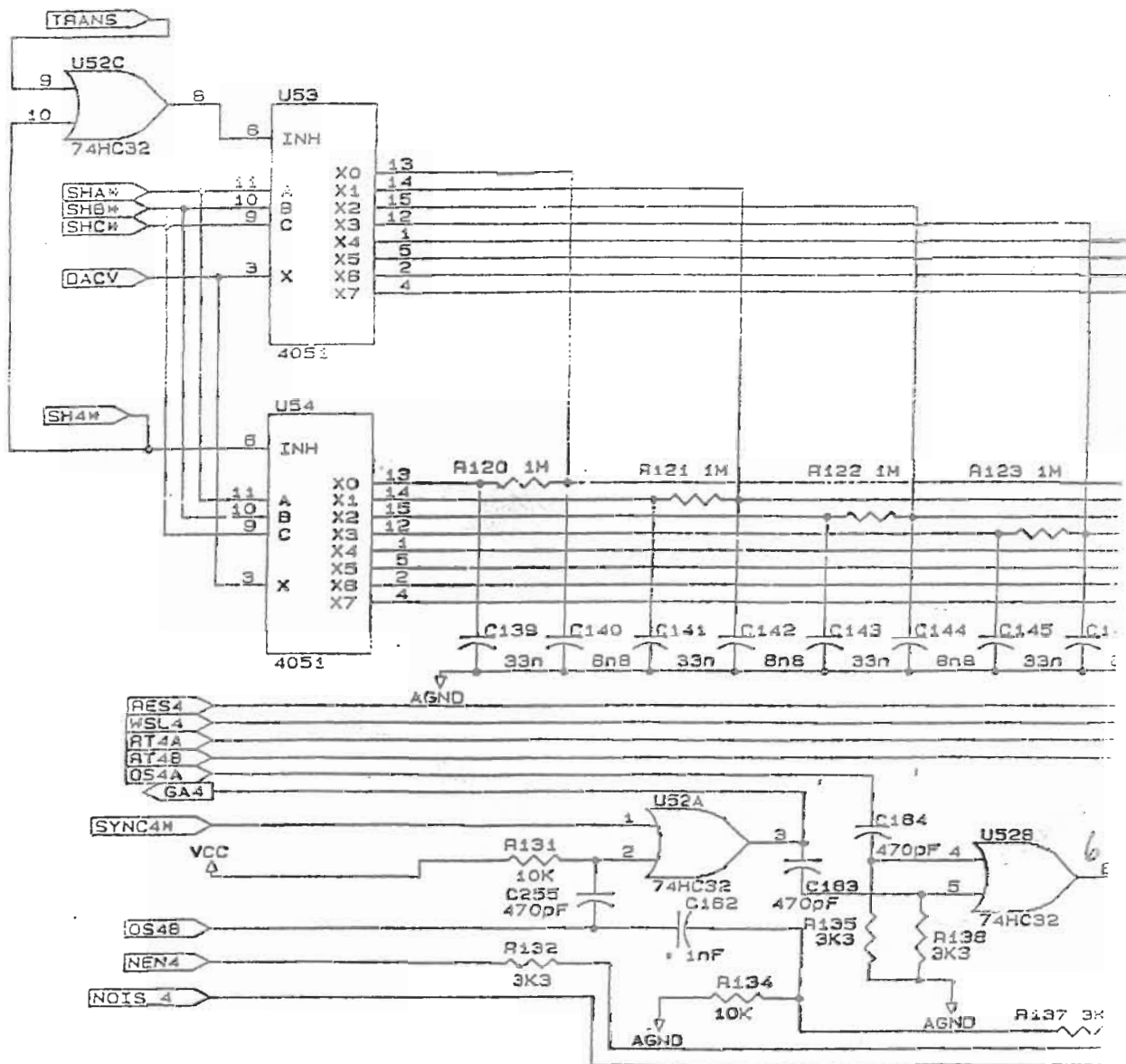


6B

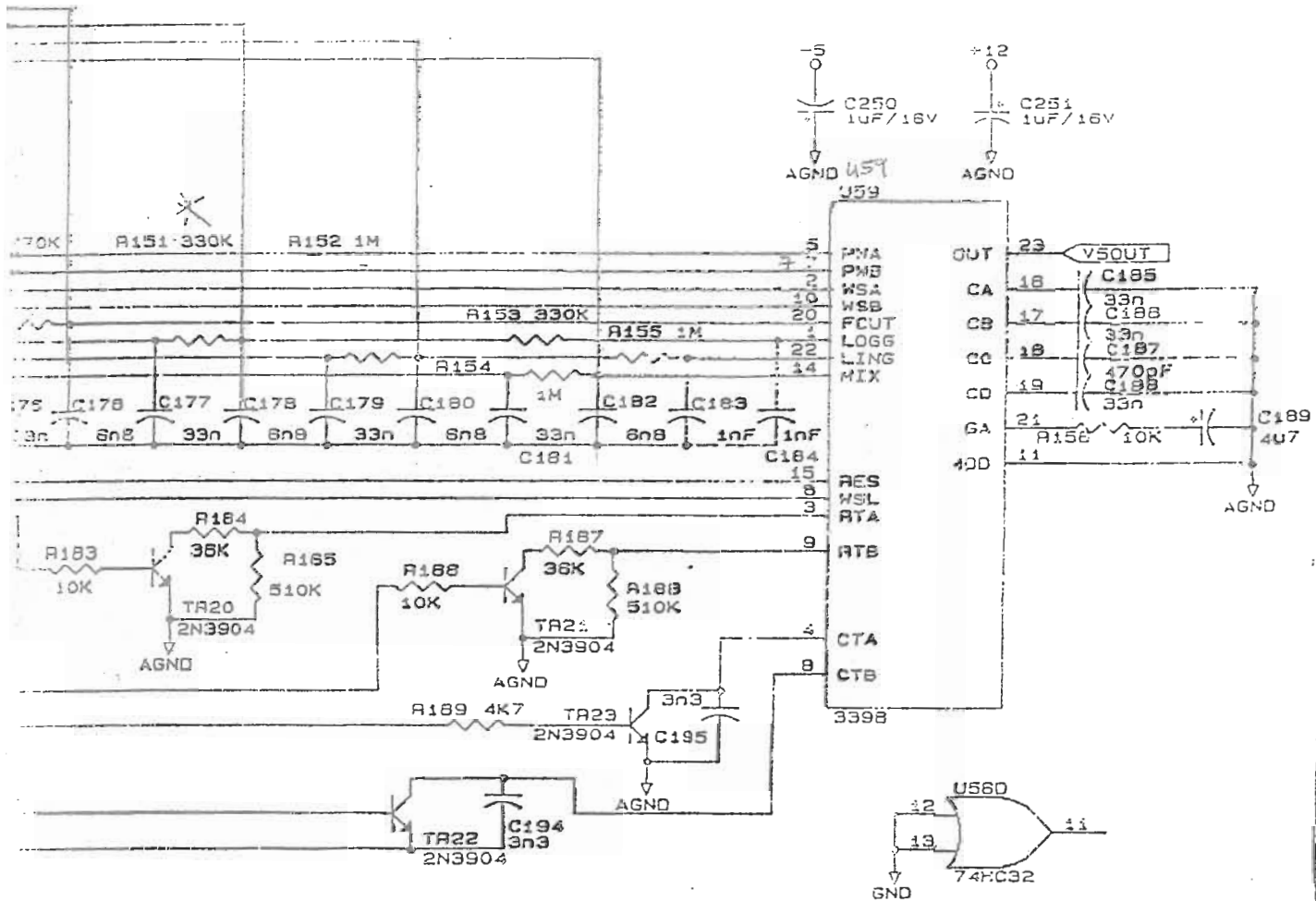


<b>CONFIDENTIAL</b>	
Title	MS8 VOICE4 CCT DIAGRAM
Size	Document Number
B	MS81011
Date:	March 4, 1990 Sheet 7 of 7

7A

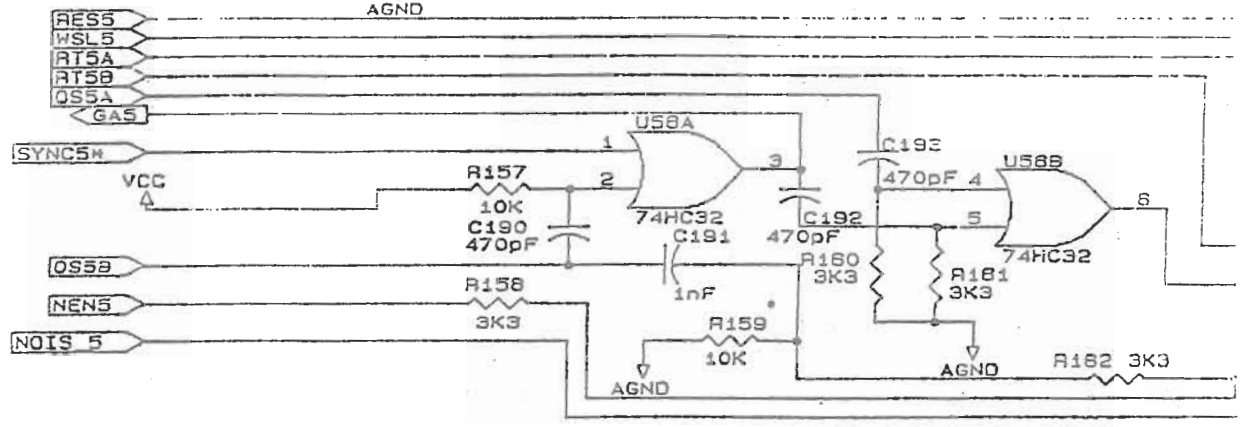
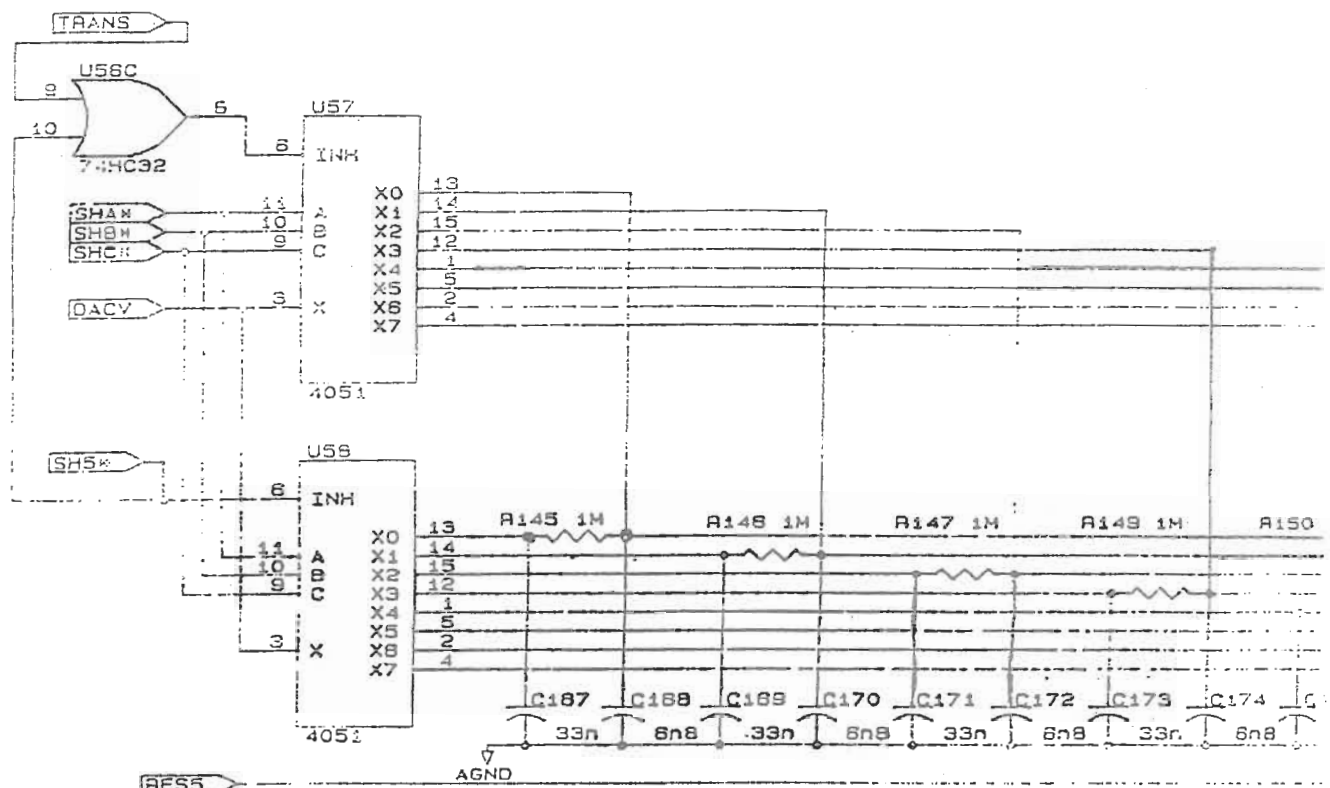


7B



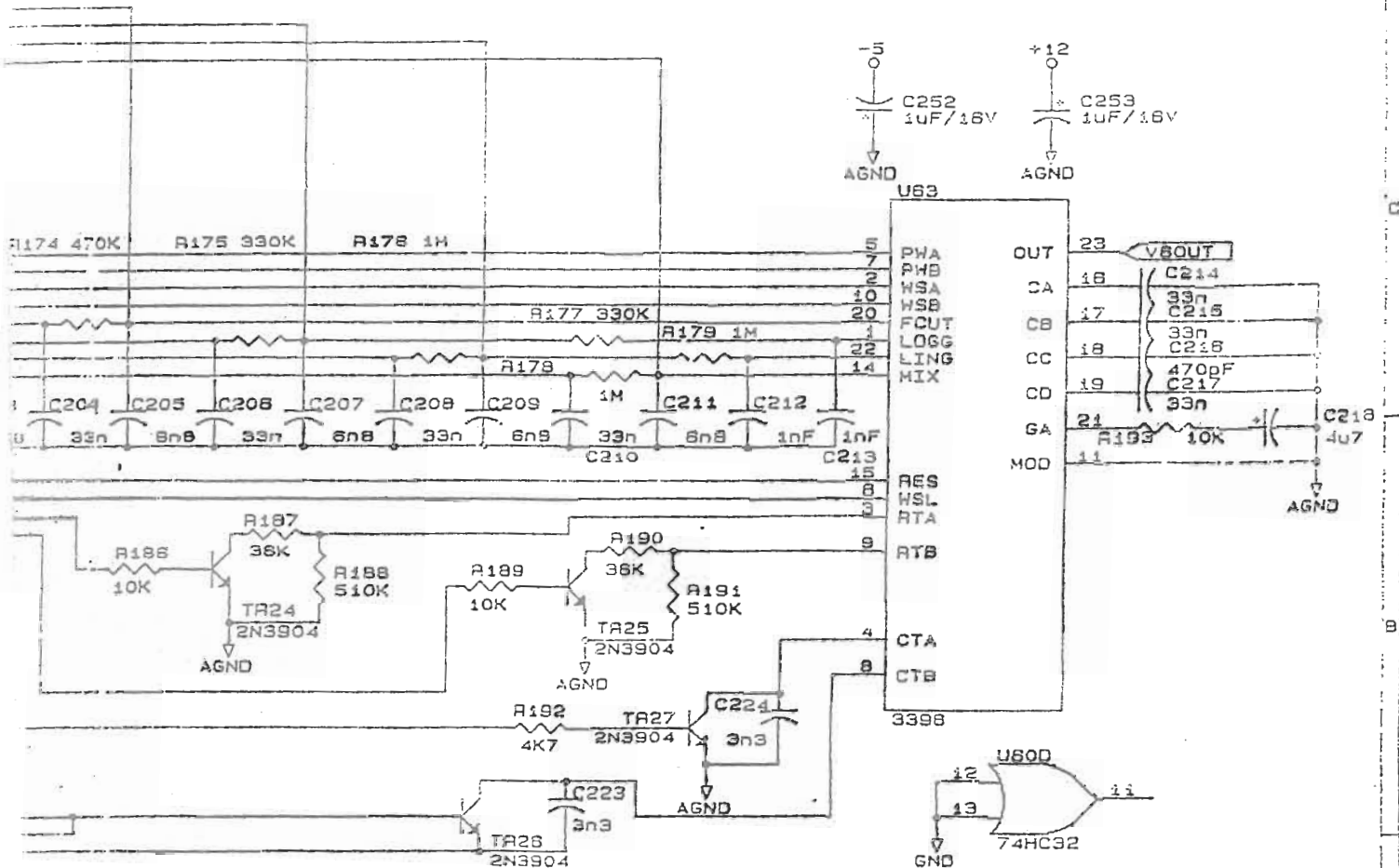
Title		
MS8 VOICES CCT DIAGRAM		
Size	Document Number	REV
B	MS81021	B
Date:	March 11, 1990	3 of 12

SA



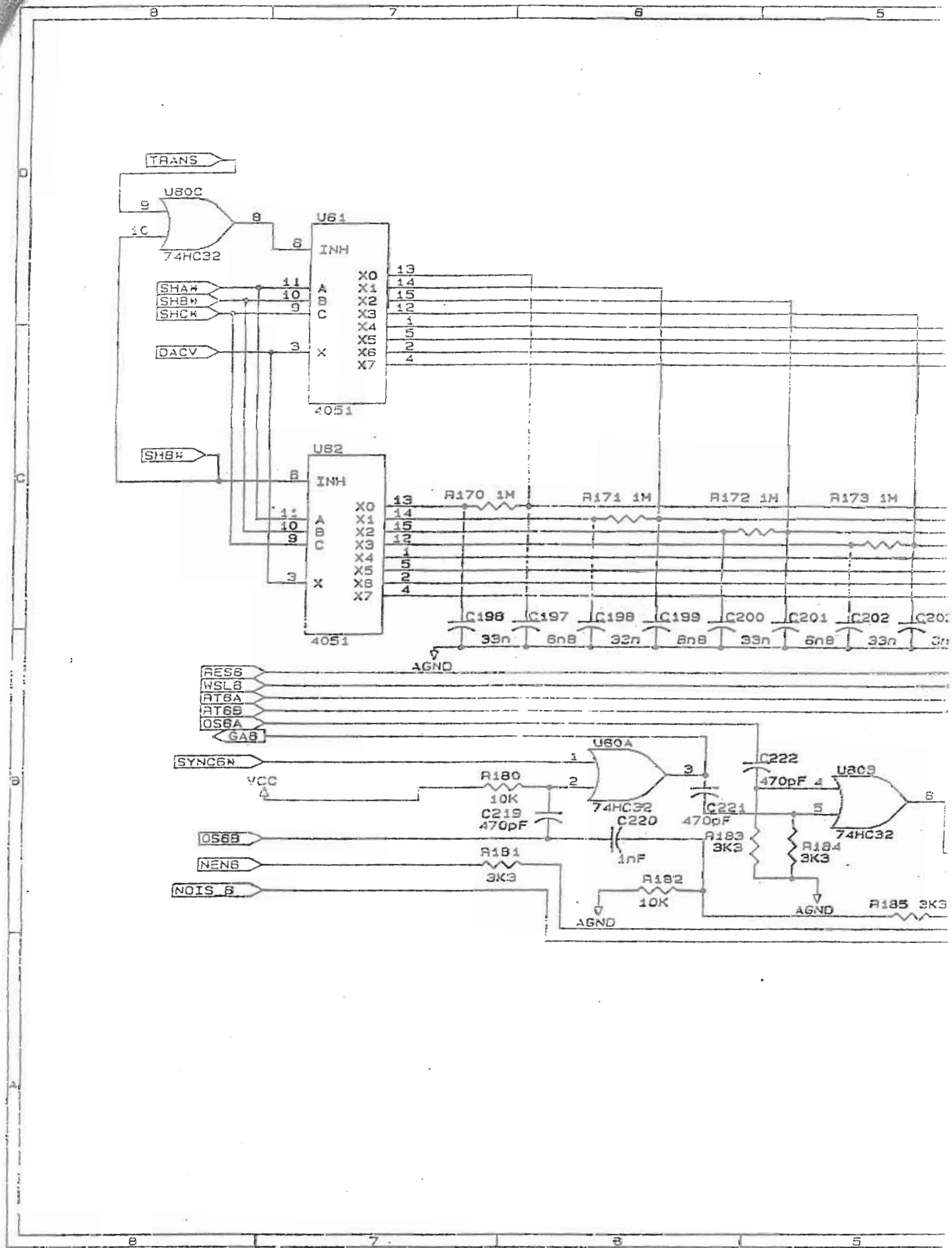
8B





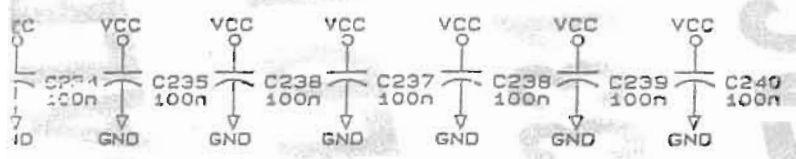
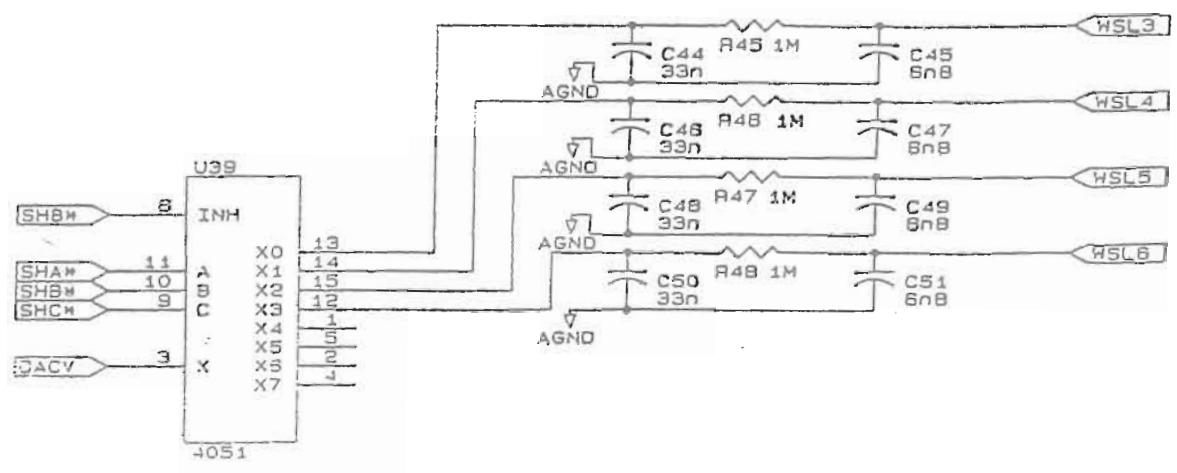
Title		
MSB VOICES CCT DIAGRAM		
Size	Document Number	REV
B	MSB1011	B
Date:	March 4, 1990	Sheet 9 of 12

9A



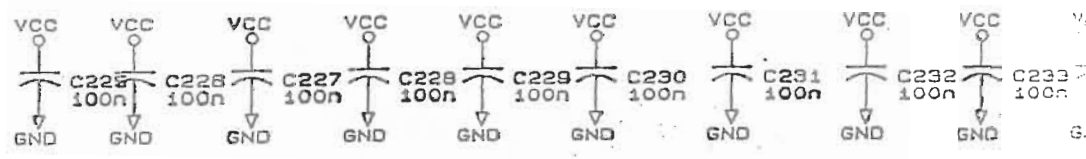
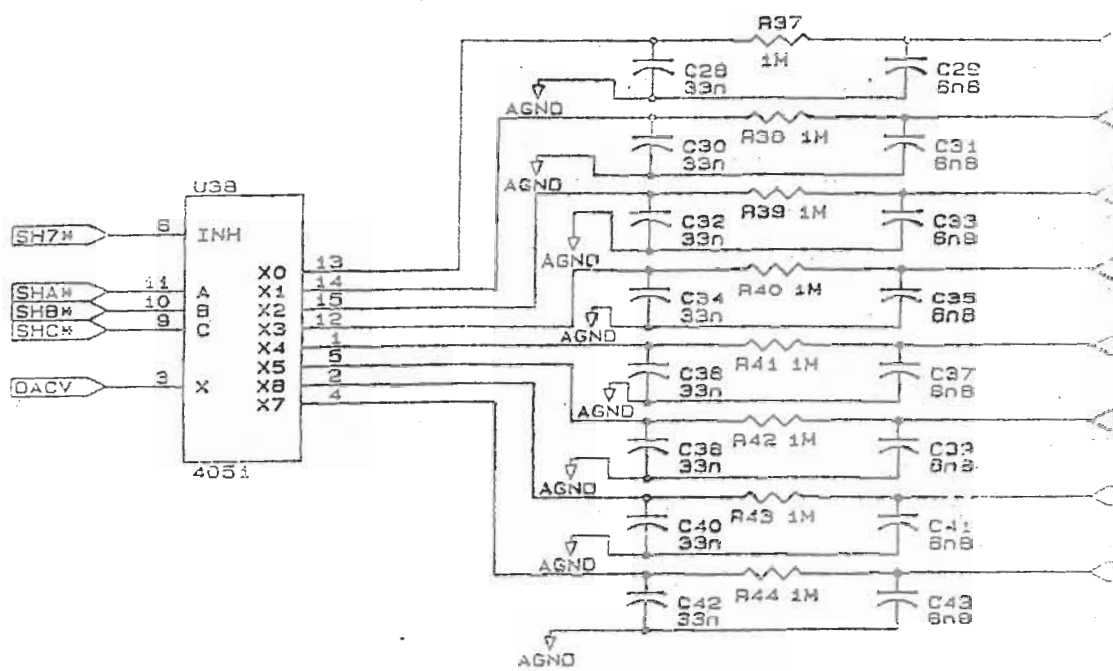
9B

RES 1  
RES 2  
RES 3  
RES 4  
RES 5  
RES 6  
JSL 1  
JSL 2



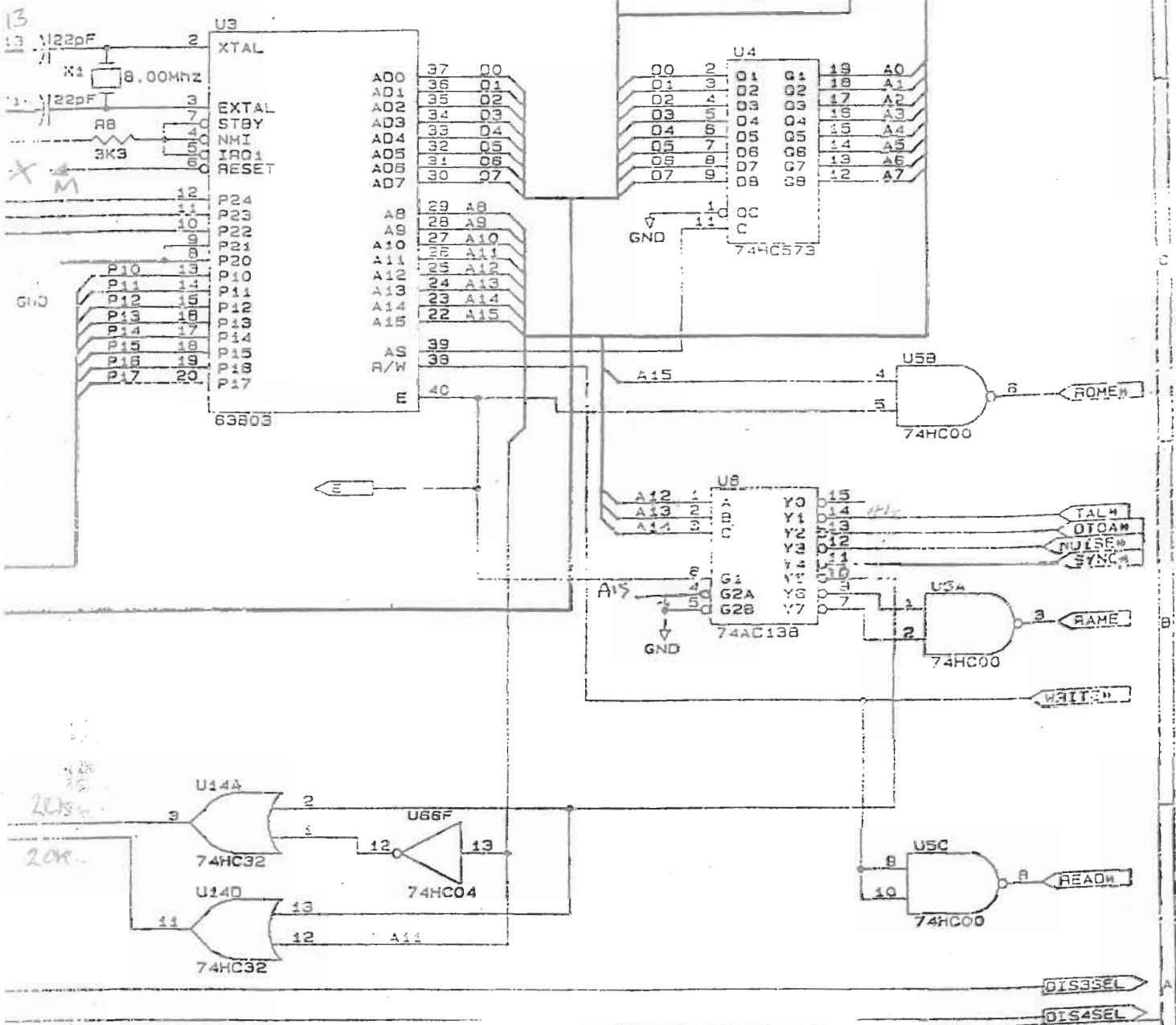
Title		
MSB MISC SAMPLE + HOLD + DECOUPLING		
Size	Document Number	REV
B	MSB1011	B
Date: February 25, 1990 Sheet 10 of 12		

10A



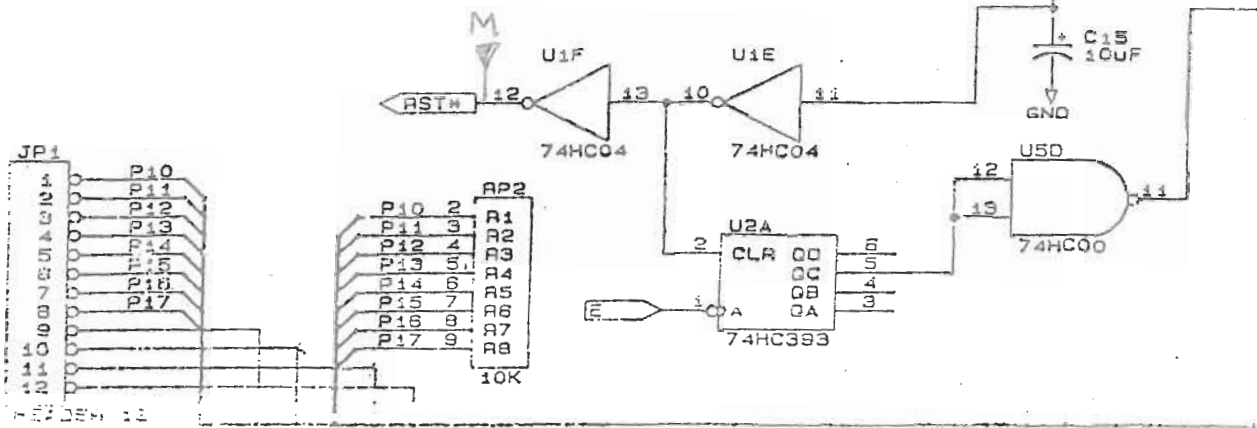
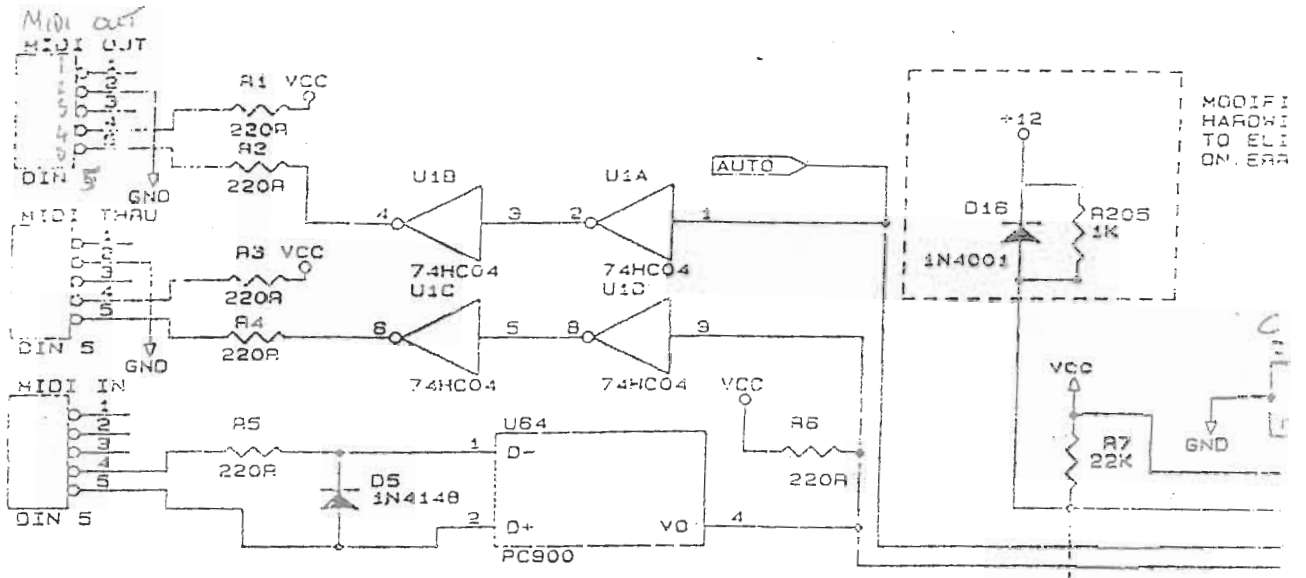
10B

CAUTION  
 DO NOT  
 MINUTE POWER UP  
 ON

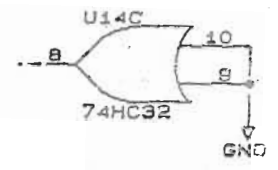
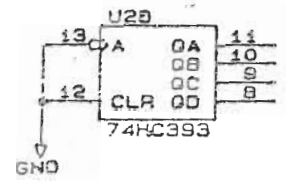
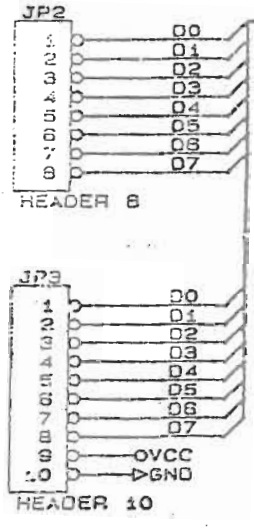


Title			
MSB CPU PART A			
Size	Document Number		REV
B	MSB1011		B
Date:	March 14, 1990	Sheet	11 of 12

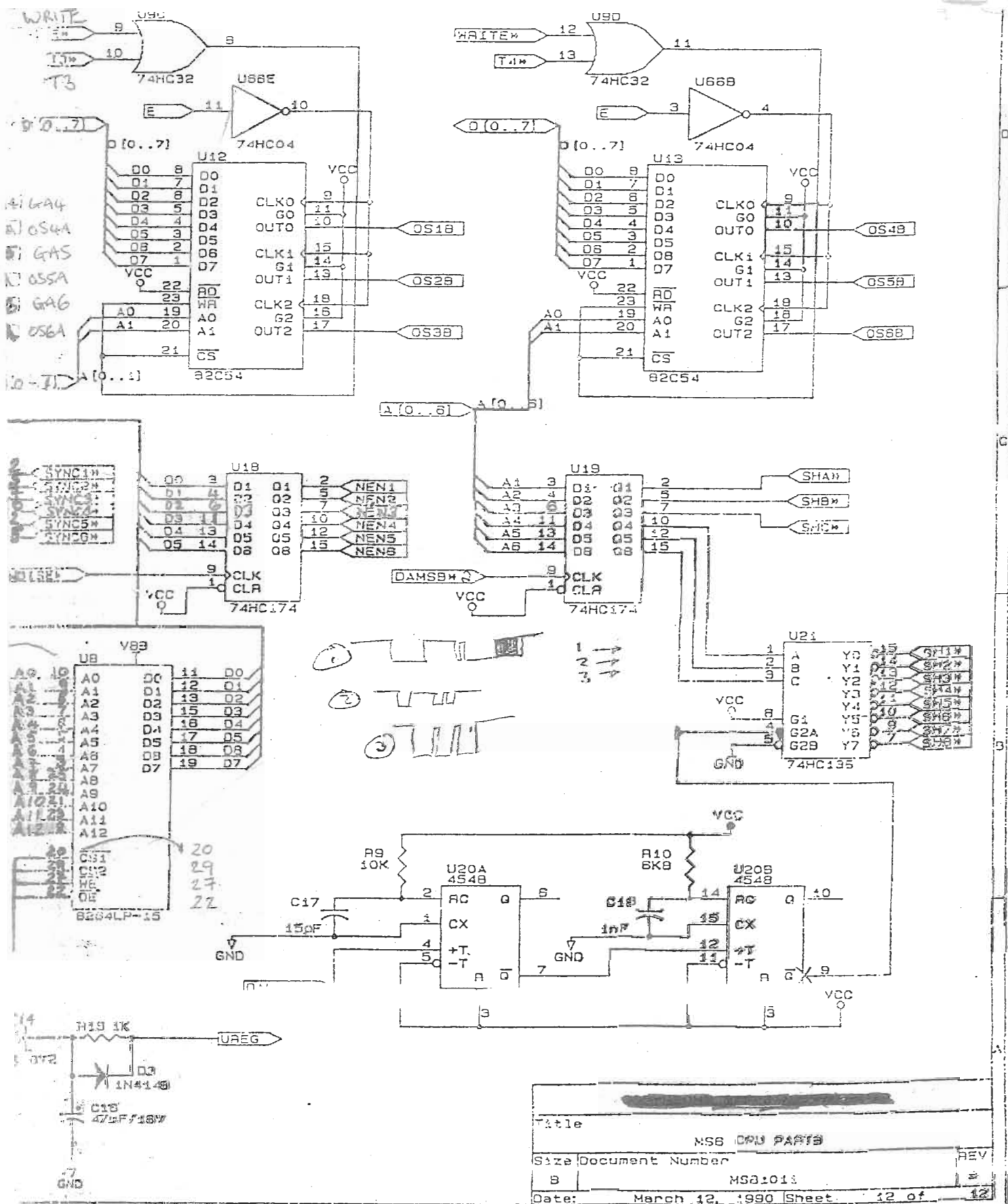
11A



Con 30

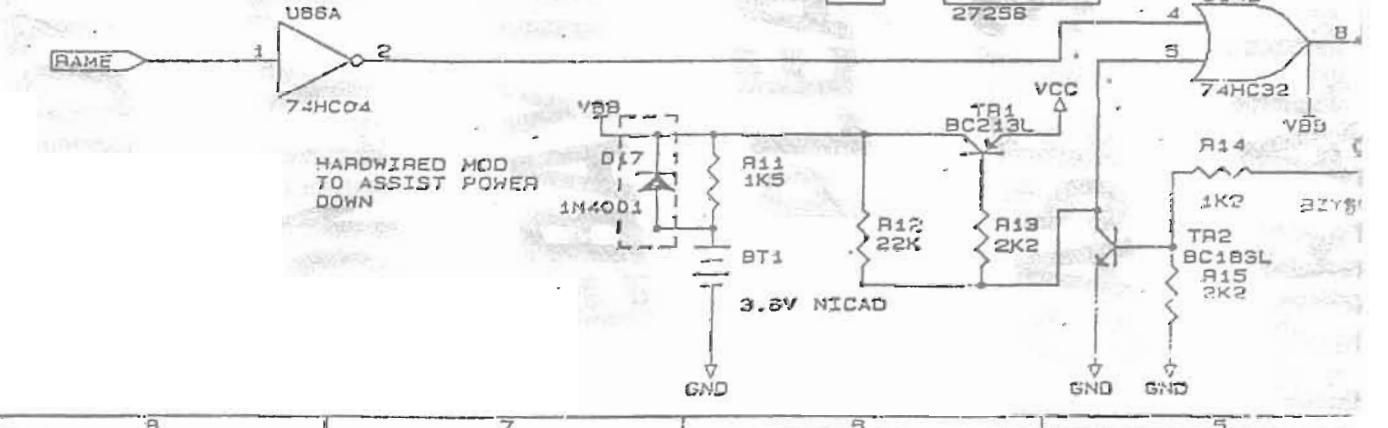
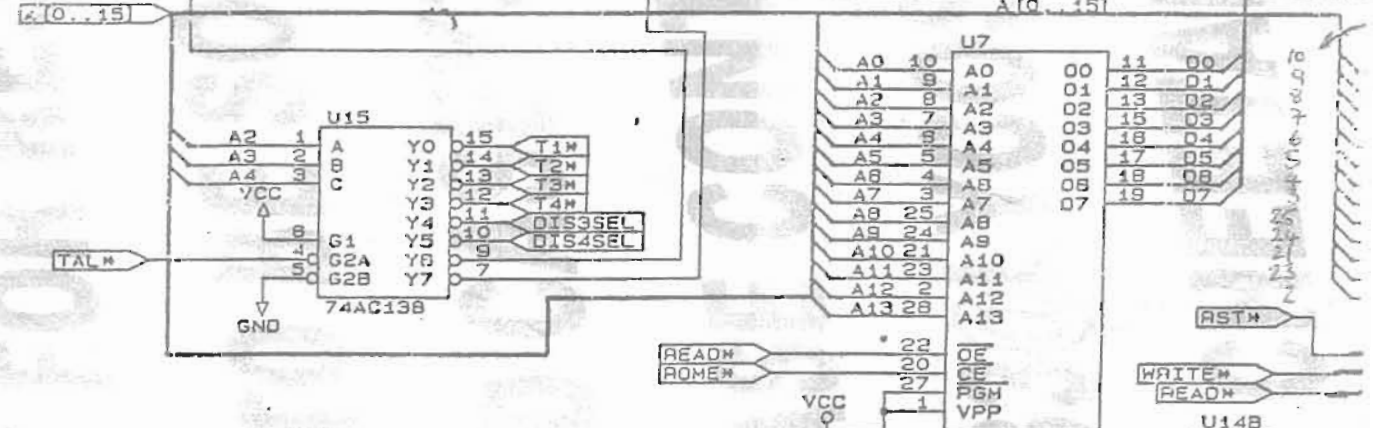
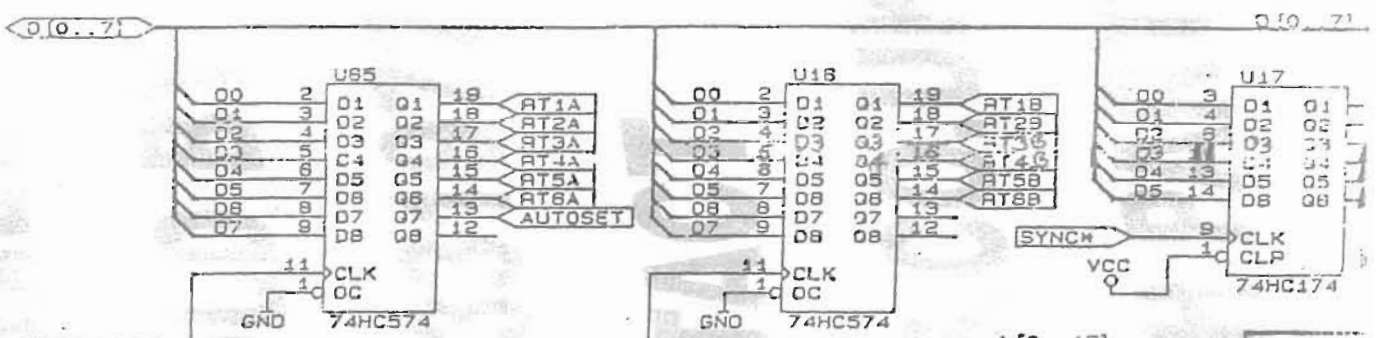
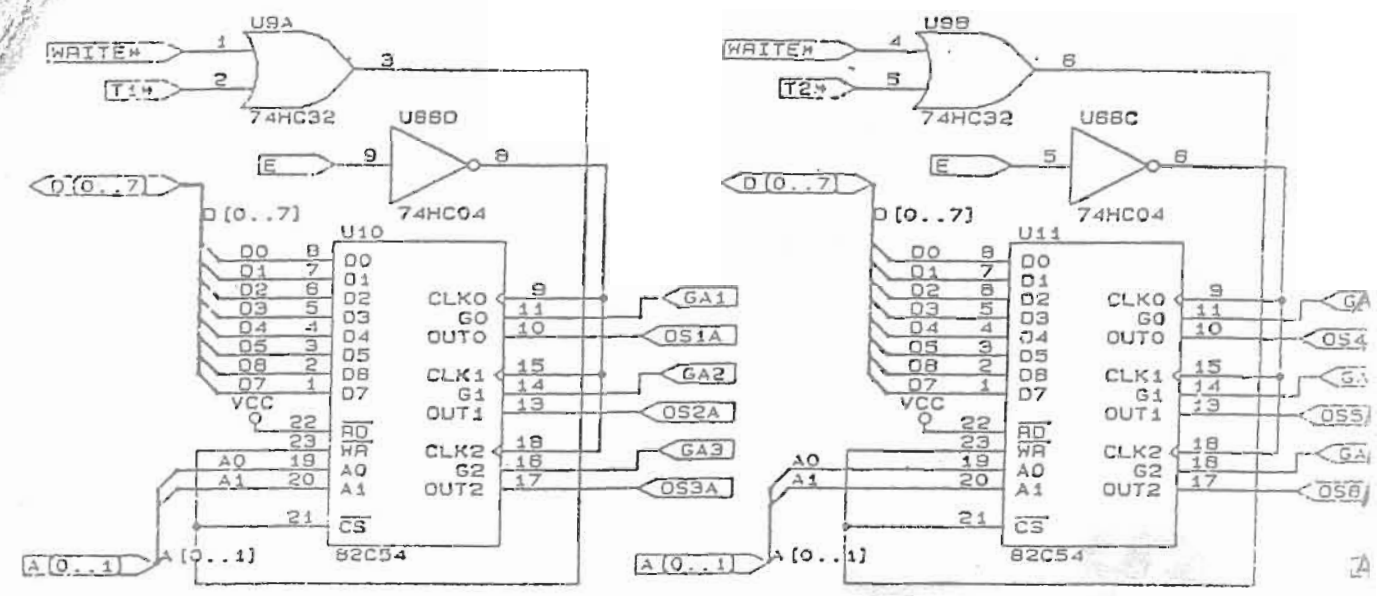


11B



Title		NSB CPU PARTS	
Size	Document Number	REV	
B	MSA:011		
Date:	March 12, 1990	Sheet	12 of 12

12A



12B